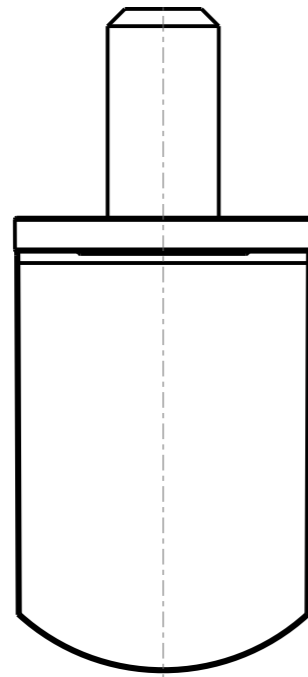
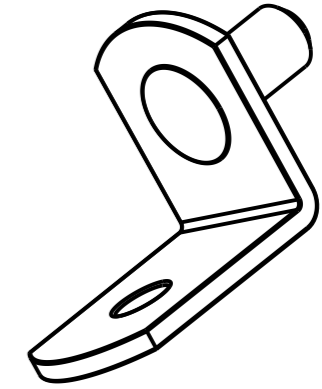
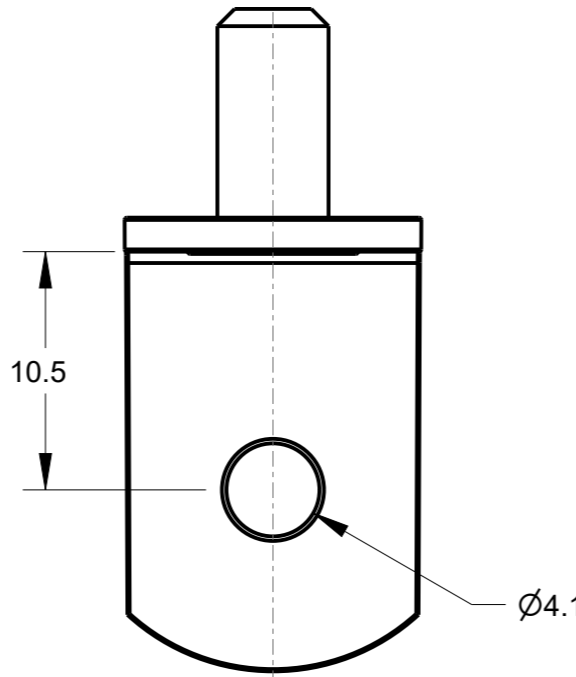


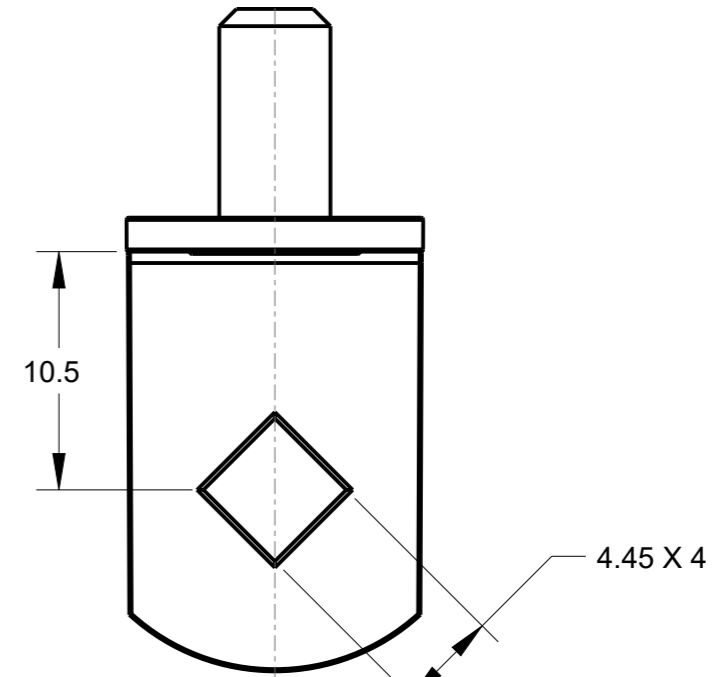
| ITEM #  | FINISH         | STYLE    |
|---------|----------------|----------|
| 1706AB  | ANTIQUE BRASS  | STANDARD |
| 1706BN  | BRIGHT NICKEL  | STANDARD |
| 1706PB  | POLISHED BRASS | STANDARD |
| 1707AB  | ANTIQUE BRASS  | HOLE     |
| 1707AC  | ANTIQUE COPPER | HOLE     |
| 1707BLK | BLACK          | HOLE     |
| 1707BN  | BRIGHT NICKEL  | HOLE     |
| 1707PB  | POLISHED BRASS | HOLE     |
| 1710AC  | ANTIQUE COPPER | DIAMOND  |
| 1710BN  | BRIGHT NICKEL  | DIAMOND  |



1706  
STANDARD



1707  
HOLE



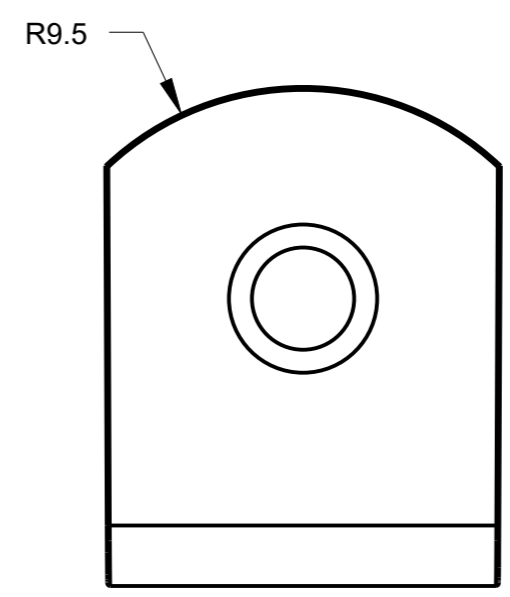
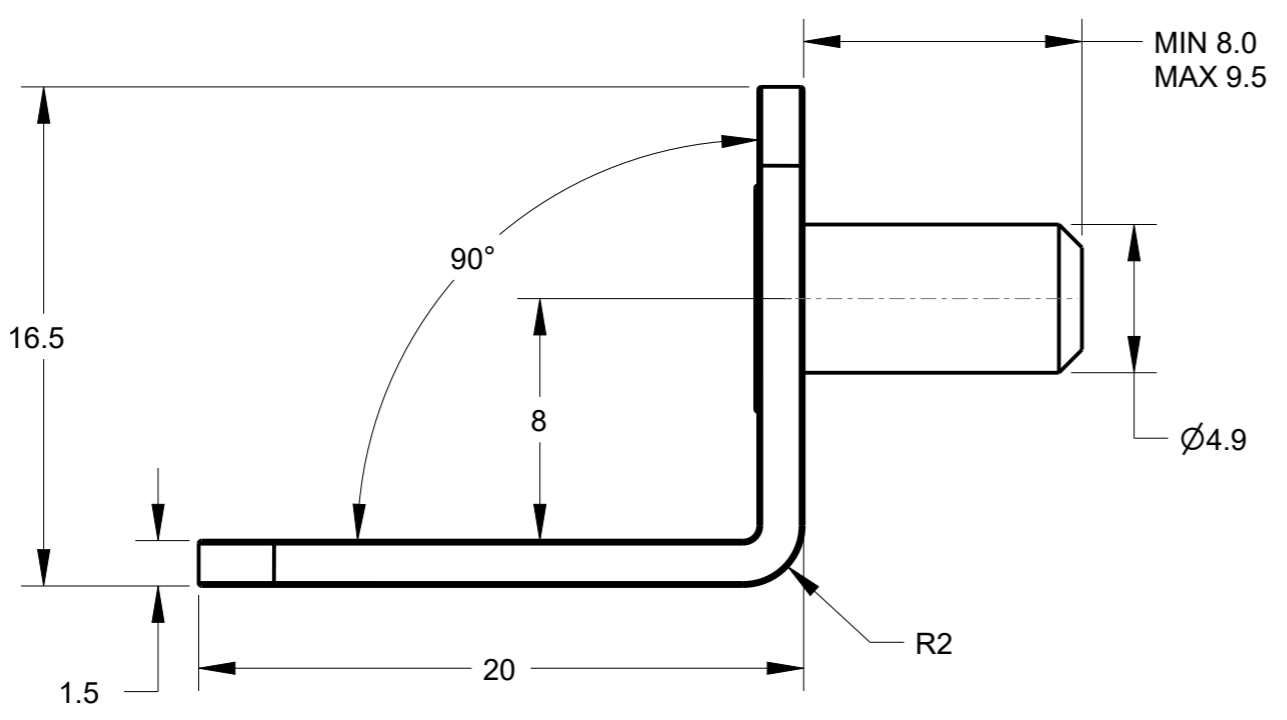
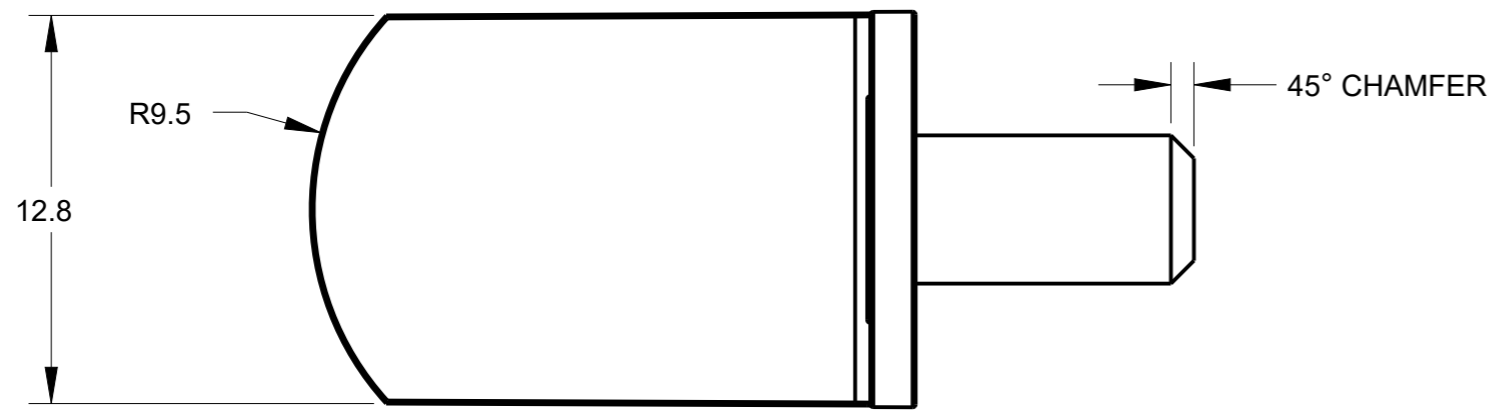
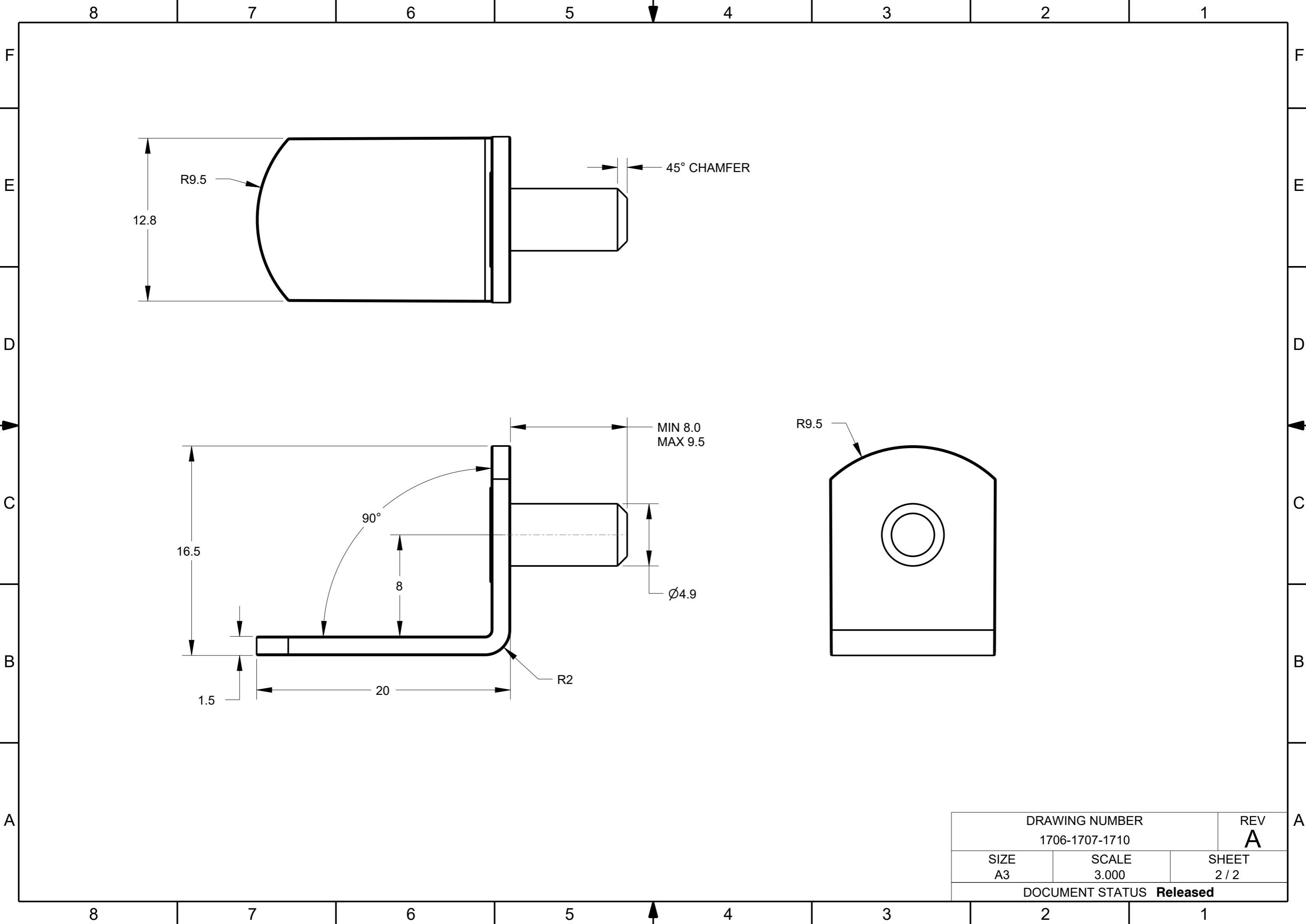
1710  
DIAMOND

|                            |                     |                                  |                |                 |
|----------------------------|---------------------|----------------------------------|----------------|-----------------|
| THIRD ANGLE PROJECTION<br> |                     | <b>hardware resources</b>        |                |                 |
| MATERIAL<br>STEEL          | FINISH<br>SEE TABLE |                                  |                |                 |
| DRAWN BY<br>ANDY BROWN     | DATE<br>30MAR2022   | DRAWING NUMBER<br>1706-1707-1710 |                | REV<br><b>A</b> |
| DESIGNED BY<br>N/A         | DATE<br>N/A         | SIZE<br>A3                       | SCALE<br>3.000 | SHEET<br>1 / 2  |
| APPROVED BY<br>GREG DAVIS  | DATE<br>31MAR2022   |                                  |                |                 |

DOCUMENT STATUS **Released**

HARDWARE RESOURCES RESERVES THE RIGHT TO CHANGE SPECIFICATIONS WITHOUT NOTICE. IN CASE OF A DISCREPANCY, ACTUAL PART GEOMETRY SUPERSEDES THIS DOCUMENT.

THE INFORMATION CONTAINED WITHIN THIS DRAWING IS THE SOLE PROPERTY OF HARDWARE RESOURCES INC. ANY REPRODUCTION IN PART OR WHOLE WITHOUT WRITTEN PERMISSION OF HARDWARE RESOURCES INC. IS PROHIBITED.



|                                  |                |                 |
|----------------------------------|----------------|-----------------|
| DRAWING NUMBER<br>1706-1707-1710 |                | REV<br><b>A</b> |
| SIZE<br>A3                       | SCALE<br>3.000 | SHEET<br>2 / 2  |
| DOCUMENT STATUS <b>Released</b>  |                |                 |